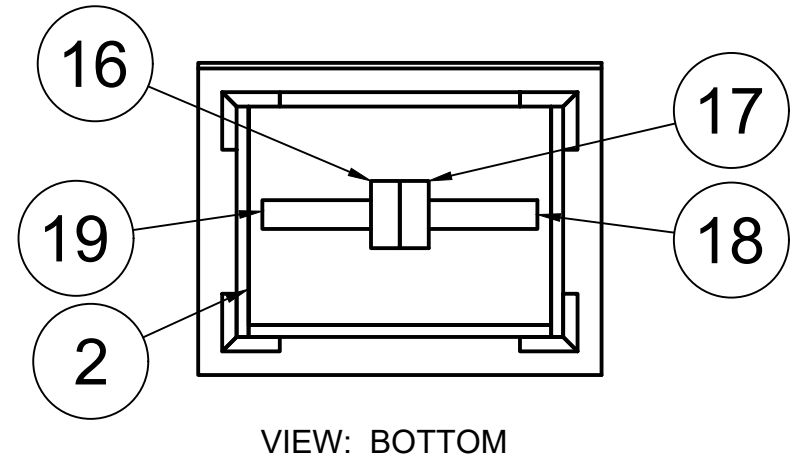


PARTS LIST		
ITEM	QTY	PART NAME
1	1	SIDE (RIGHT)
2	1	BOTTOM
3	1	SIDE (LEFT)
4	1	SHELF
5	1	BACK
6	1	ROOF
7	1	PANEL - FRONT (LEFT)
8	1	PANEL - FRONT (RIGHT)
9	1	PANEL - FRONT (BOTTOM)
10	1	PANEL - SIDE FRONT (RIGHT)
11	1	PANEL - SIDE FRONT (LEFT)
12	1	PANEL - BACK (LEFT)
13	1	PANEL - BACK (RIGHT)
14	1	PANEL - SIDE BACK (LEFT)
15	1	PANEL - SIDE BACK (RIGHT)
16	1	POST 1
17	1	POST 2
18	1	STRUT 1
19	1	STRUT 2

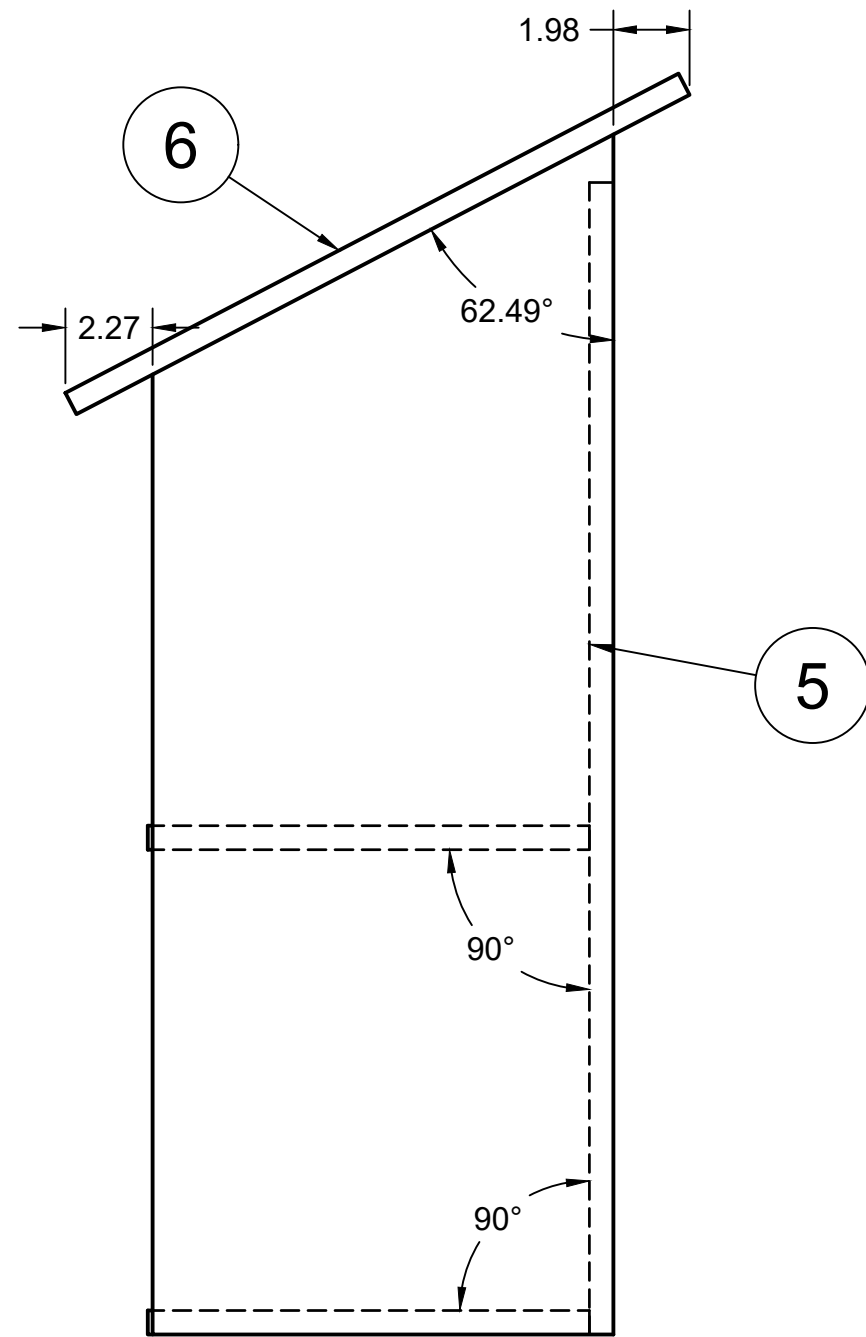
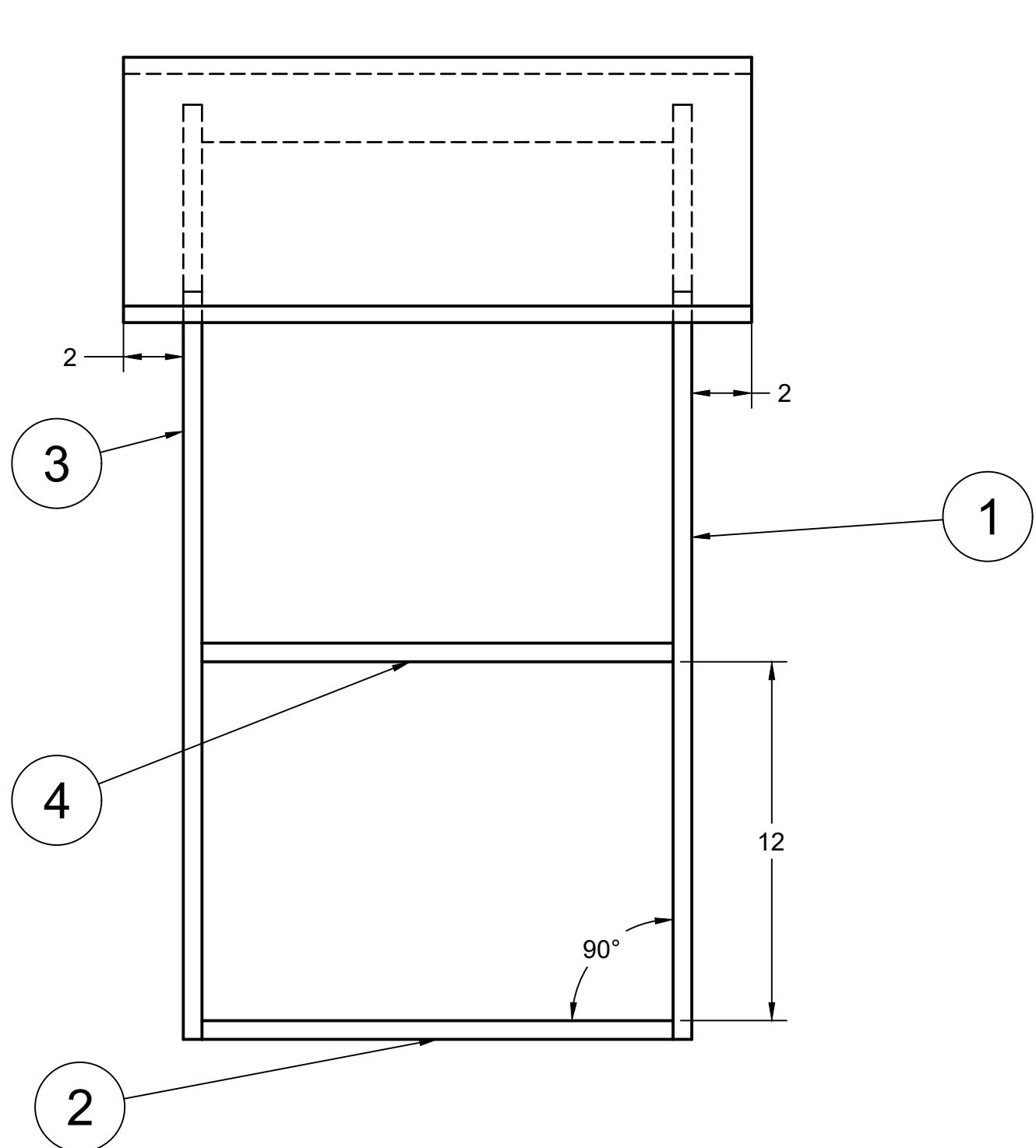


Work licensed under a Creative Commons Attribution Non-Commercial 4.0 International License. For commercial reuse or inquiries, contact [Info@DisruptivNation.com](mailto:Info@DisruptivNation.com). Copyright, DisruptivNation, LLC

PROJECT  
**Community Library**

TITLE  
**Assembly Instructions**

APPROVED	SIZE	CODE	DWG NO	REV
CHECKED	B			
DRAWN Cory Nation 1/9/2020	SCALE 1:10	WEIGHT	SHEET 1/4	



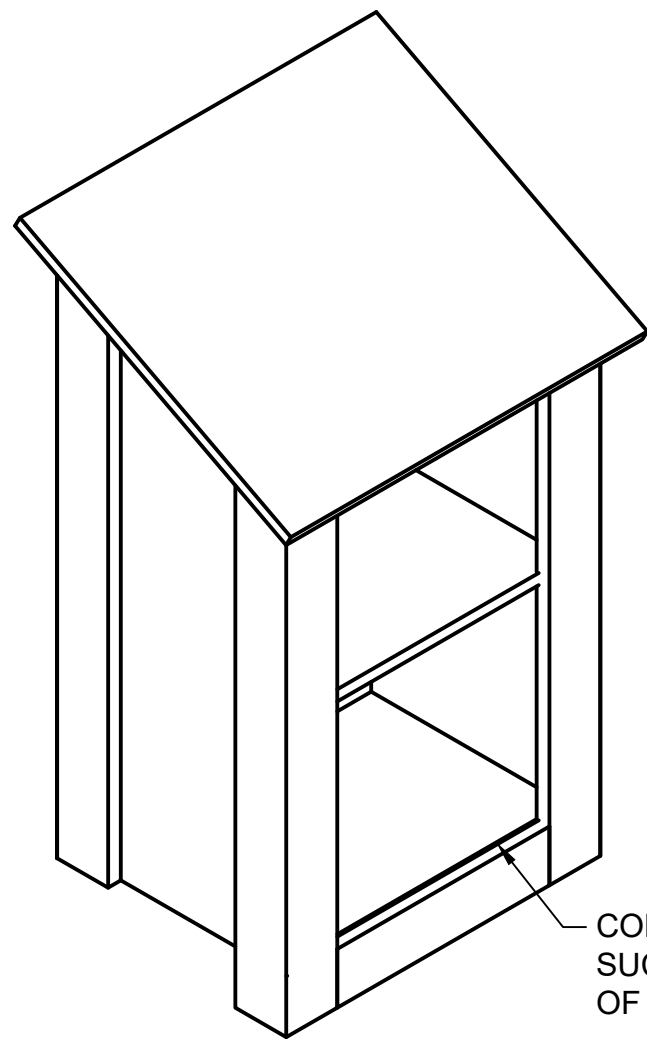
6	1	ROOF
5	1	BACK
4	1	SHELF
3	1	SIDE (LEFT)
2	1	BOTTOM
1	1	SIDE (RIGHT)
ITEM	QTY	PART NAME
PARTS LIST		

Work licensed under a Creative Commons Attribution Non-Commercial 4.0 International License. For commercial reuse or inquiries, contact [Info@DisruptivNation.com](mailto:Info@DisruptivNation.com). Copyright, DisruptivNation, LLC

PROJECT  
**Community Library**

TITLE  
**Main Housing Assembly**

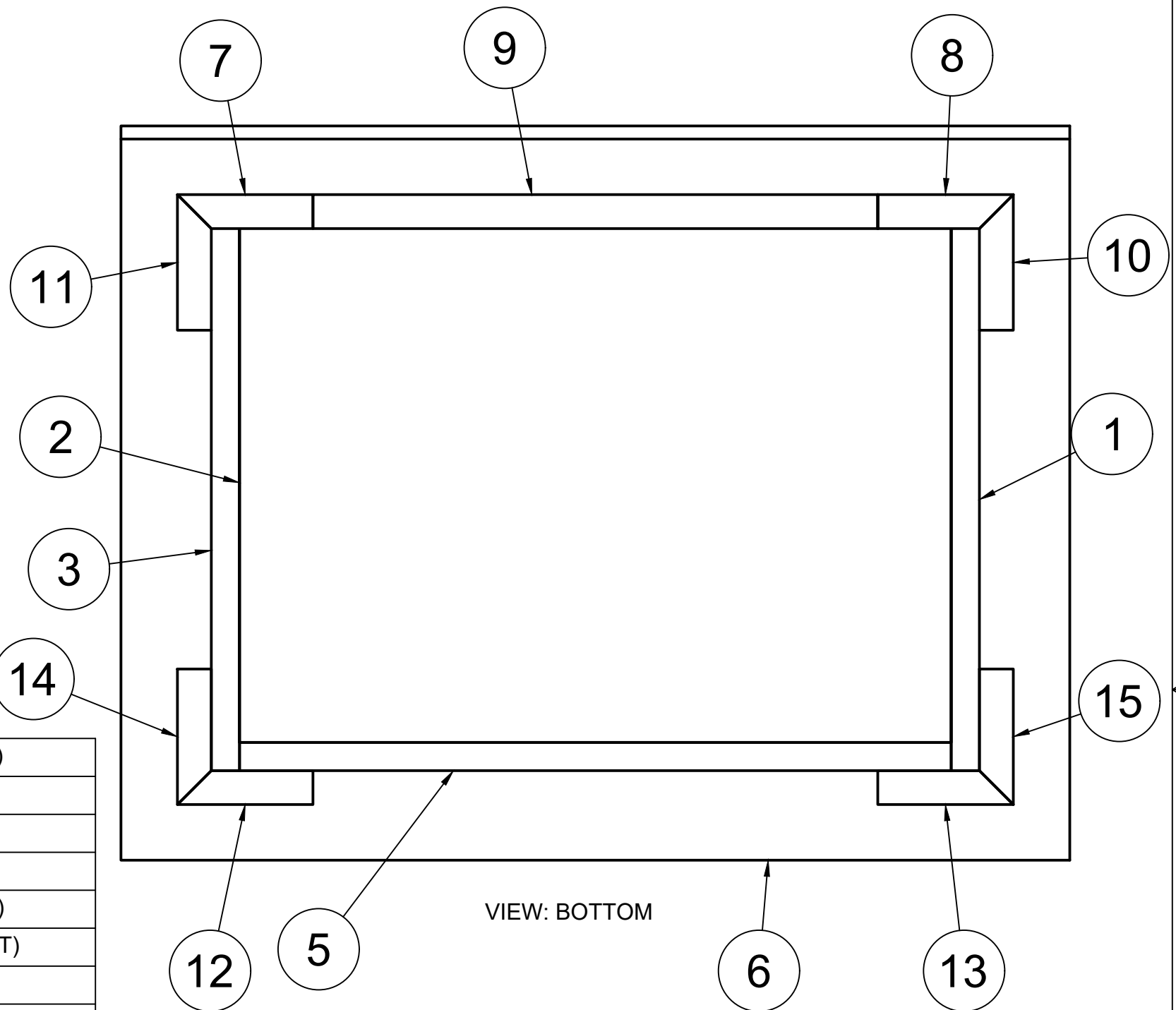
APPROVED	SIZE	CODE	DWG NO	REV
CHECKED	B			
DRAWN Cory Nation 1/9/2020	SCALE 1:5	WEIGHT	SHEET 2/4	



VIEW: SIDE (ISO) SCALE 1:8

CONNECT ITEM 9, PANEL - FRONT (BOTTOM) SUCH THAT THE TOP IS EVEN WITH THE TOP OF ITEM 2, BOTTOM

15	1	PANEL - SIDE BACK (RIGHT)
14	1	PANEL - SIDE BACK (LEFT)
13	1	PANEL - BACK (RIGHT)
12	1	PANEL - BACK (LEFT)
11	1	PANEL - SIDE FRONT (LEFT)
10	1	PANEL - SIDE FRONT (RIGHT)
9	1	PANEL - FRONT (BOTTOM)
8	1	PANEL - FRONT (RIGHT)
7	1	PANEL - FRONT (LEFT)
6	1	ROOF
5	1	BACK
4	1	SHELF
3	1	SIDE (LEFT)
2	1	BOTTOM
1	1	SIDE (RIGHT)
ITEM	QTY	PART NAME
PARTS LIST		



VIEW: BOTTOM

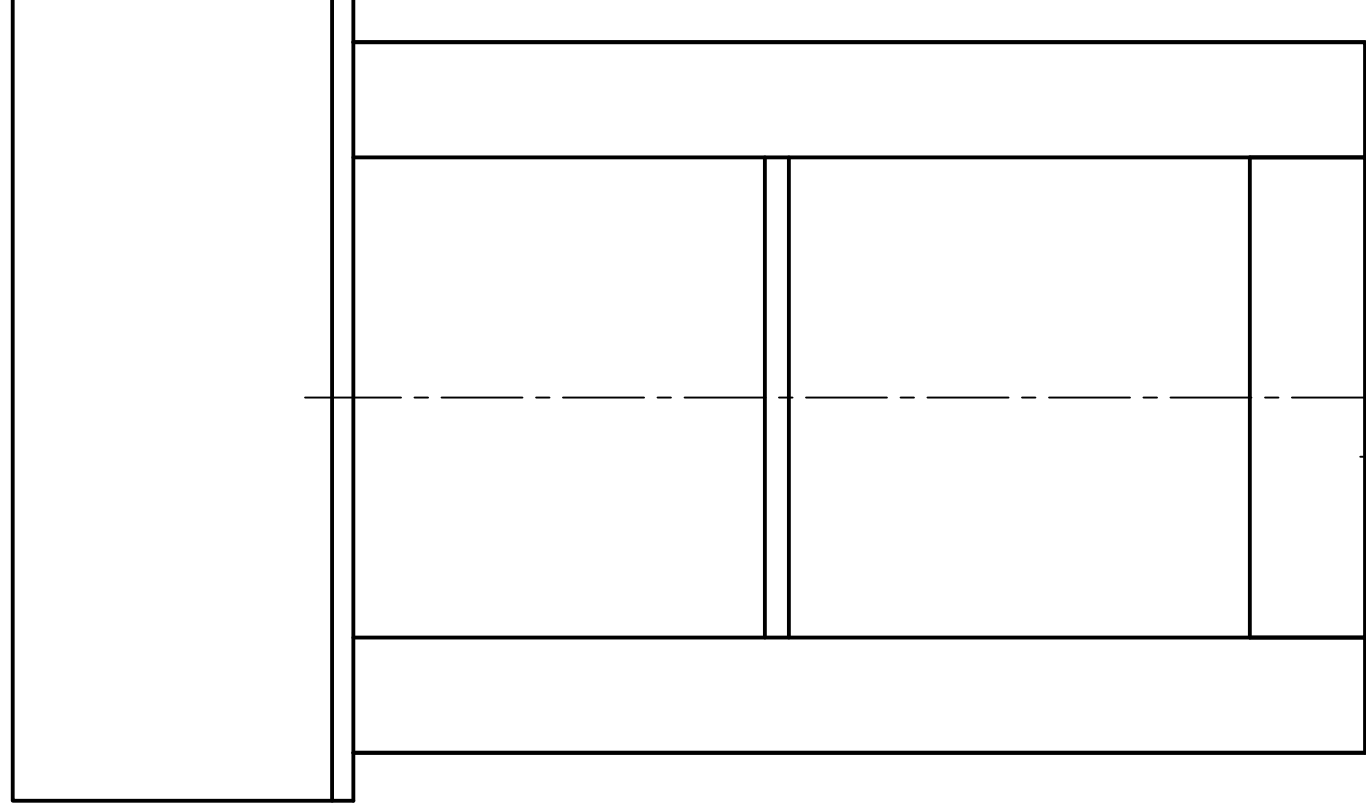
Work licensed under a Creative Commons Attribution Non-Commercial 4.0 International License. For commercial reuse or inquiries, contact Info@DisruptivNation.com. Copyright, DisruptivNation, LLC		PROJECT		
		<h1>Community Library</h1>		
APPROVED CHECKED		TITLE		
		<h1>Attaching Panels</h1>		
DRAWN	Cory Nation	1/9/2020	SCALE 1:3	WEIGHT
		DWG NO		REV
		SHEET 3/4		

PARTS LIST	
ITEM	QTY PART NAME
16	1 POST 1
17	1 POST 2
18	1 STRUT 1
19	1 STRUT 2

AFTER DIGGING HOLE 2 TO 3 FEET DEEP AND 8 TO 10 INCHES IN DIAMETER IN GROUND, PLACE POST ASSEMBLY IN HOLE FOLLOWED BY 30 - 40 LBS OF CONCRETE. SET POST SUCH THAT THE TOP SURFACE IS LEVEL AND SECURE WHILE CONCRETE CURES.

ONCE THE CONCRETE HAS CURED FOR THE TIME REQUIRED, AS PER THE INSTRUCTIONS FROM THE CONCRETE MANUFACTURER, ATTACH THE LIBRARY ASSEMBLY TO THE POST ASSEMBLY BY SCREWING THROUGH THE BOTTOM INTO ITEMS 16, 17, 18, 19.

RECOMMENDED 6 SCREWS: 2 INTO 16, 2 INTO 17, 1 INTO 18, AND 1 INTO 19.



Work licensed under a Creative Commons Attribution Non-Commercial 4.0 International License.  
For commercial reuse or inquiries, contact [Info@DisruptivNation.com](mailto:Info@DisruptivNation.com).  
Copyright, DisruptivNation, LLC

PROJECT

**Community Library**

TITLE

**Attaching Panels**

APPROVED

CHECKED

DRAWN Cory Nation

1/9/2020

SCALE 1:8

WEIGHT

DWG NO

SHEET 4/4

REV