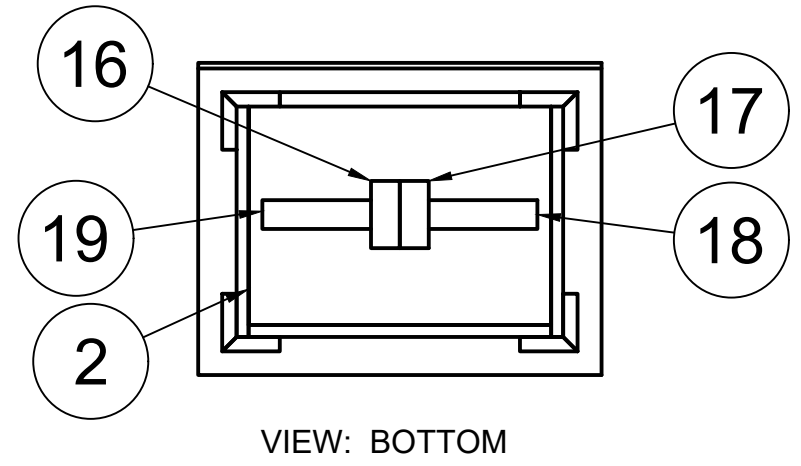


PARTS LIST		
ITEM	QTY	PART NAME
1	1	SIDE (RIGHT)
2	1	BOTTOM
3	1	SIDE (LEFT)
4	1	SHELF
5	1	BACK
6	1	ROOF
7	1	PANEL - FRONT (LEFT)
8	1	PANEL - FRONT (RIGHT)
9	1	PANEL - FRONT (BOTTOM)
10	1	PANEL - SIDE FRONT (RIGHT)
11	1	PANEL - SIDE FRONT (LEFT)
12	1	PANEL - BACK (LEFT)
13	1	PANEL - BACK (RIGHT)
14	1	PANEL - SIDE BACK (LEFT)
15	1	PANEL - SIDE BACK (RIGHT)
16	1	POST 1
17	1	POST 2
18	1	STRUT 1
19	1	STRUT 2

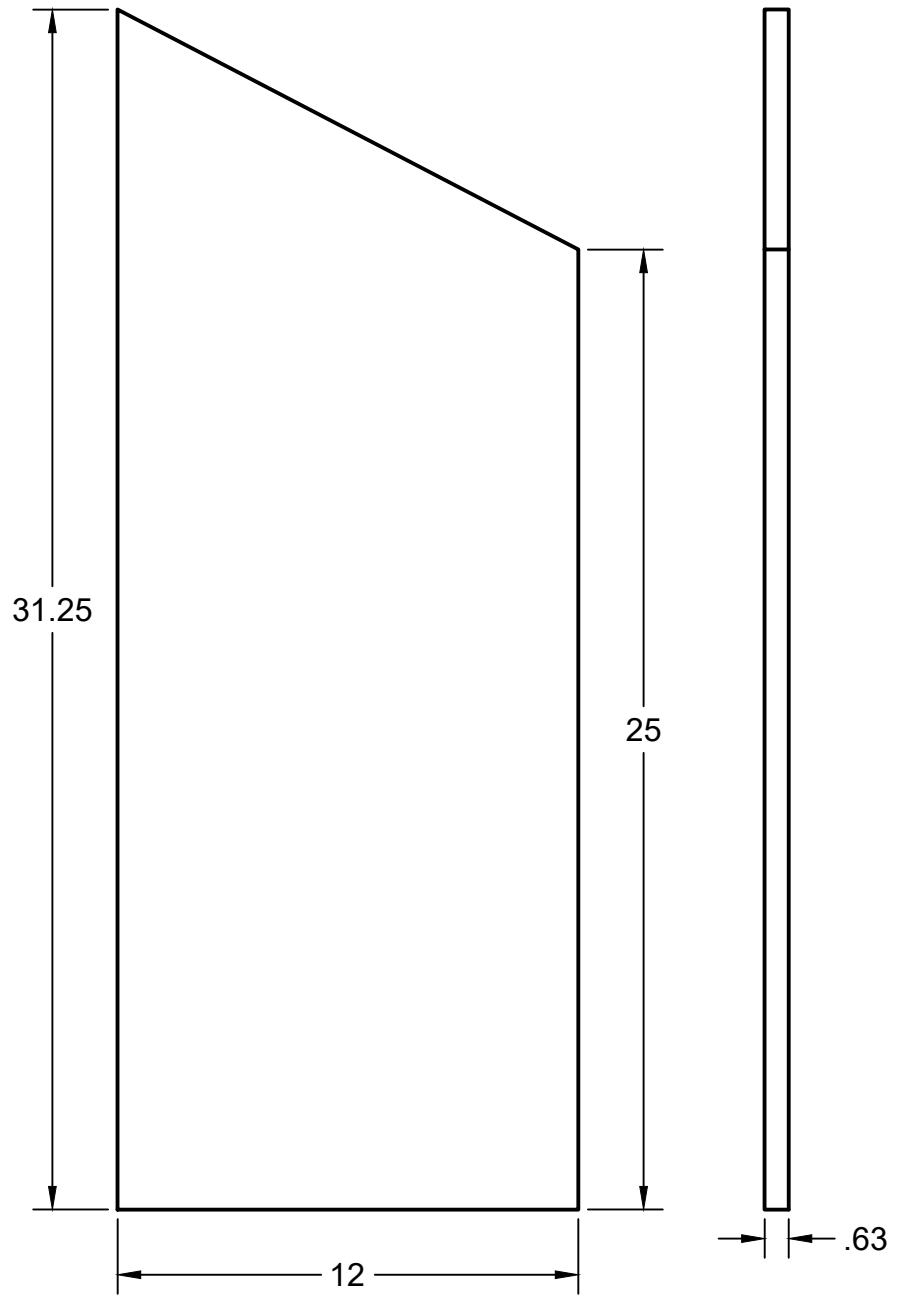


Work licensed under a Creative Commons Attribution Non-Commercial 4.0 International License. For commercial reuse or inquiries, contact Info@DisruptivNation.com. Copyright, DisruptivNation, LLC

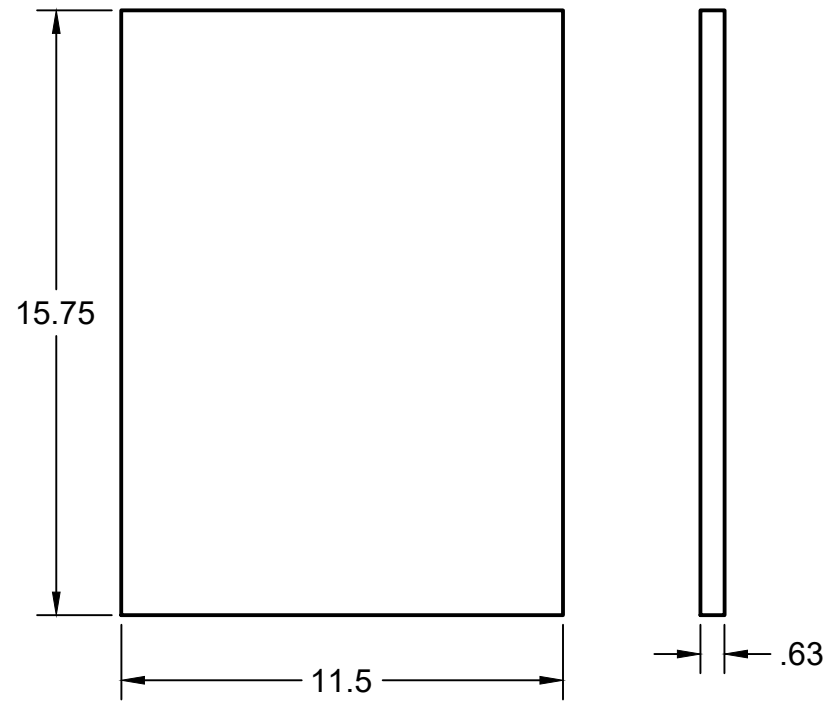
PROJECT
Community Library

TITLE
Wood Cut Dimensions

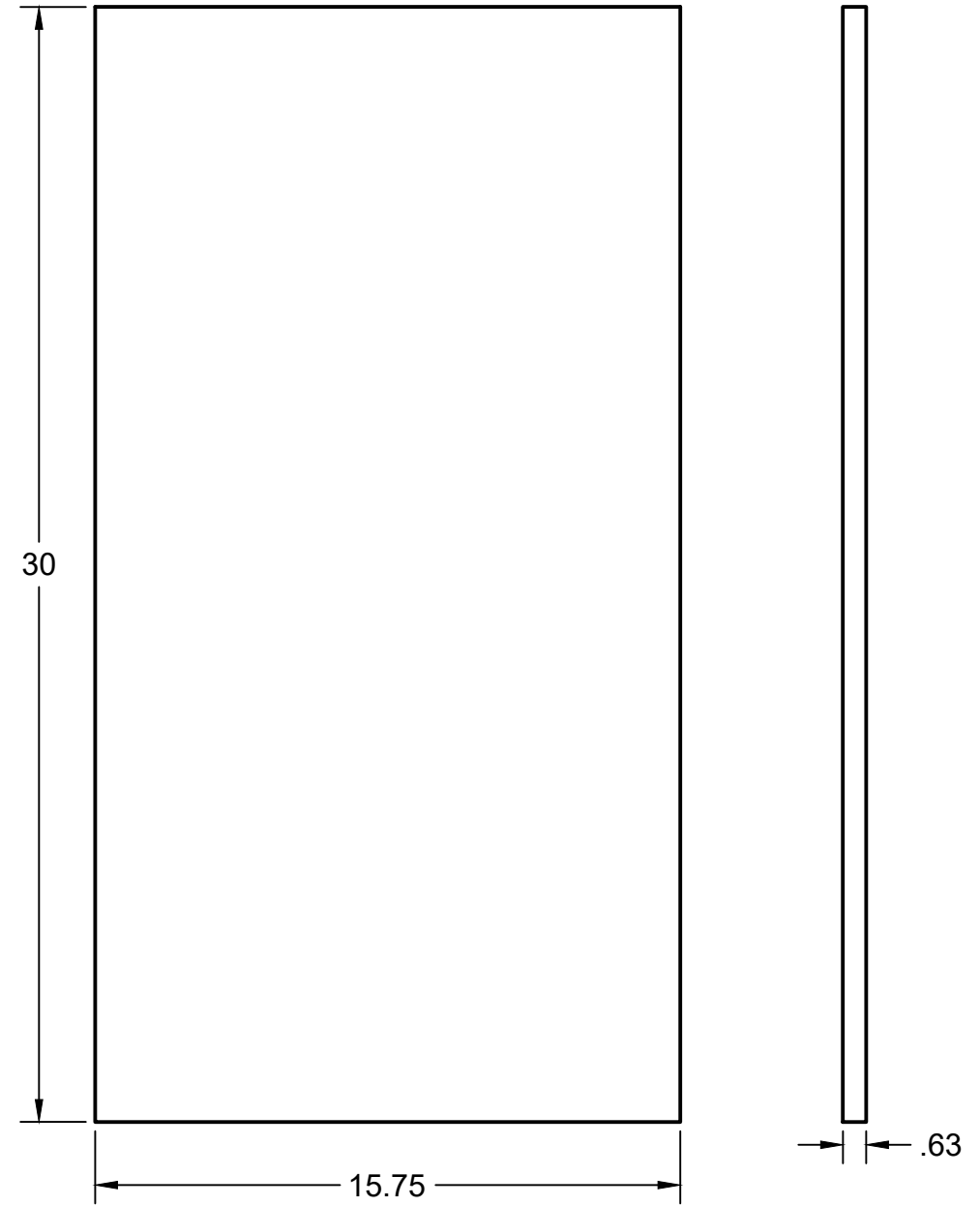
APPROVED	SIZE	CODE	DWG NO	REV
CHECKED	B			
DRAWN Cory Nation 1/9/2020	SCALE 1:10	WEIGHT	SHEET 1/4	



PART: SIDE (RIGHT) & SIDE (LEFT)



PART: BOTTOM & SHELF



PART: BACK

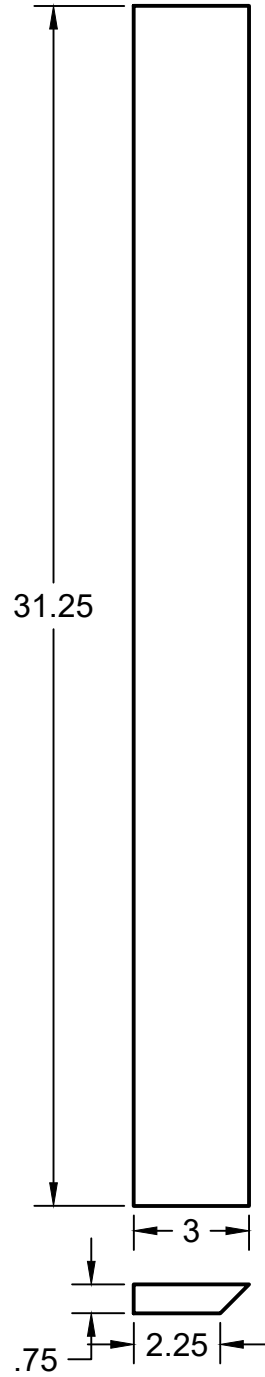
Work licensed under a Creative Commons Attribution Non-Commercial 4.0 International License. For commercial reuse or inquiries, contact Info@DisruptivNation.com. Copyright, DisruptivNation, LLC

PROJECT
Community Library
 TITLE
PARTS: SIDES, BOTTOM, SHELF, BACK

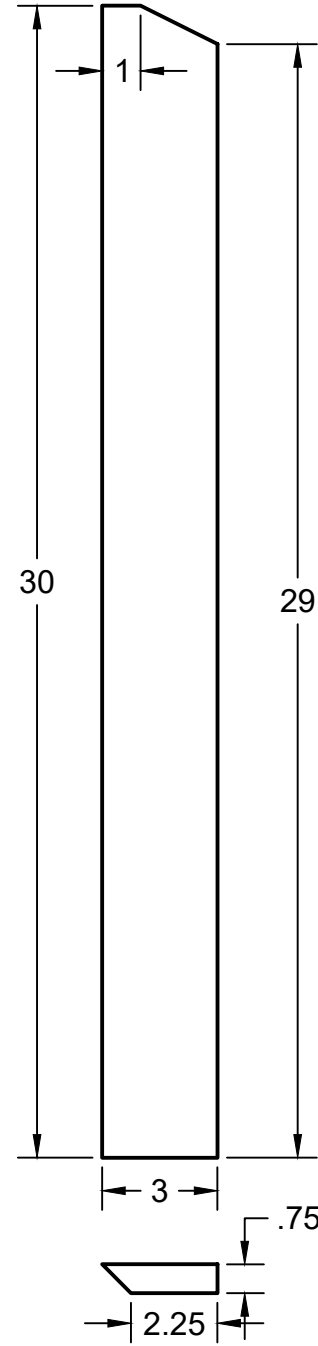
APPROVED	SIZE	CODE	DWG NO	REV
CHECKED	B			
DRAWN Cory Nation 1/9/2020	SCALE 1:5	WEIGHT	SHEET 2/4	



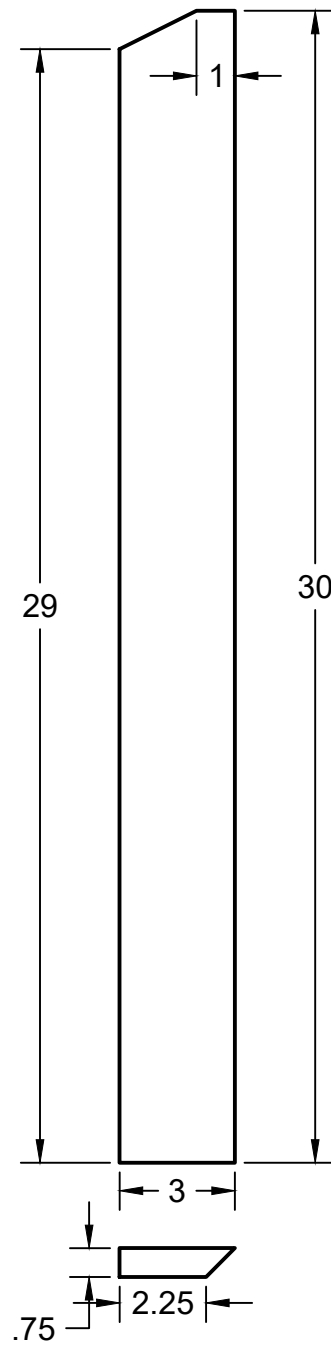
PART: PANEL - BACK
(LEFT & RIGHT)



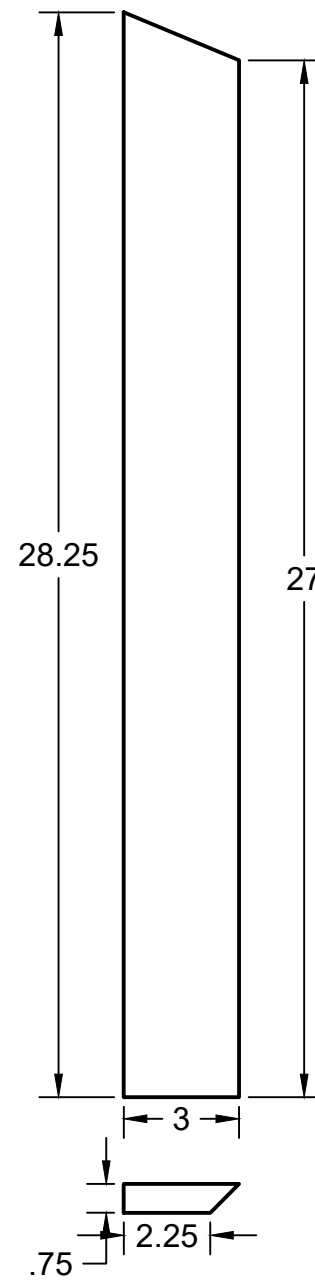
PART: PANEL - SIDE BACK
(LEFT)



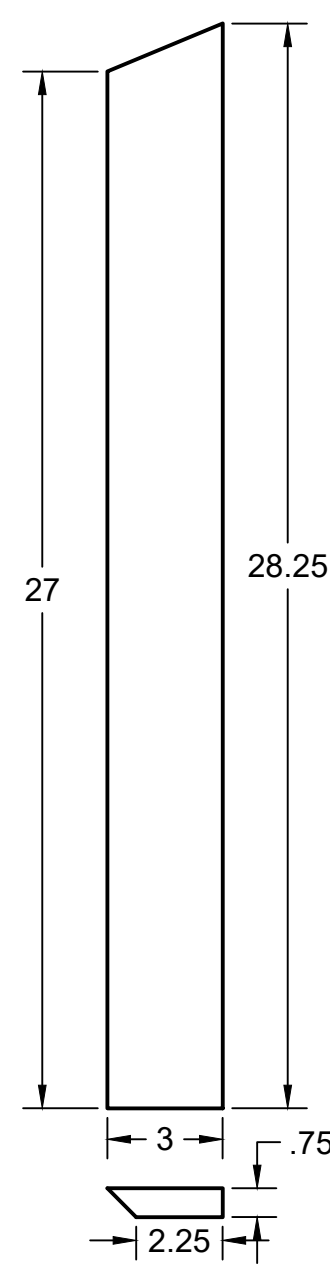
PART: PANEL - SIDE BACK
(RIGHT)



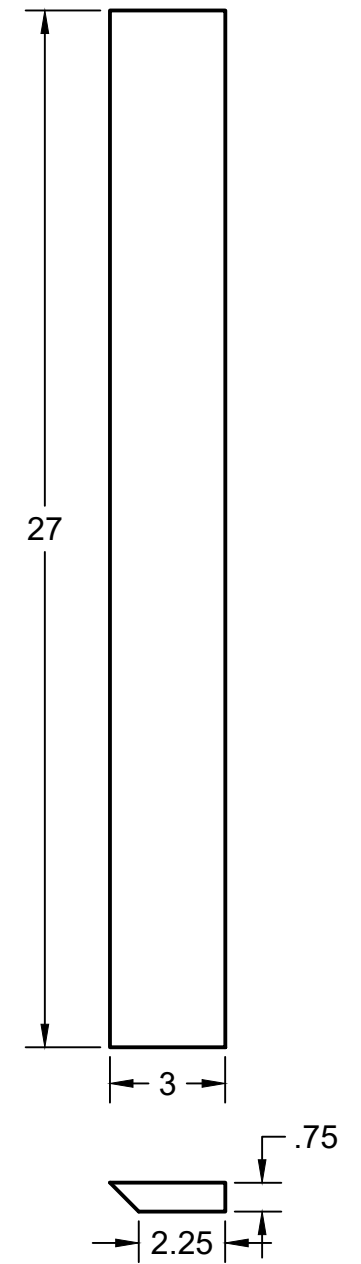
PART: PANEL - SIDE FRONT
(LEFT)



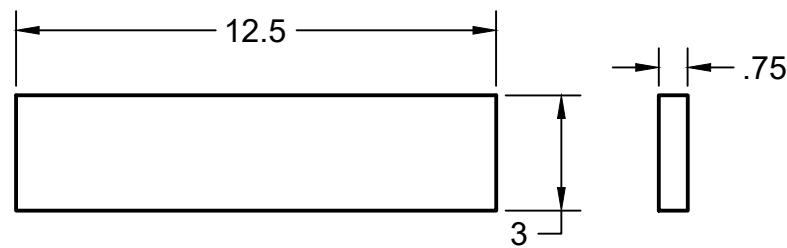
PART: PANEL - SIDE FRONT
(RIGHT)



PART: PANEL - FRONT
(LEFT & RIGHT)



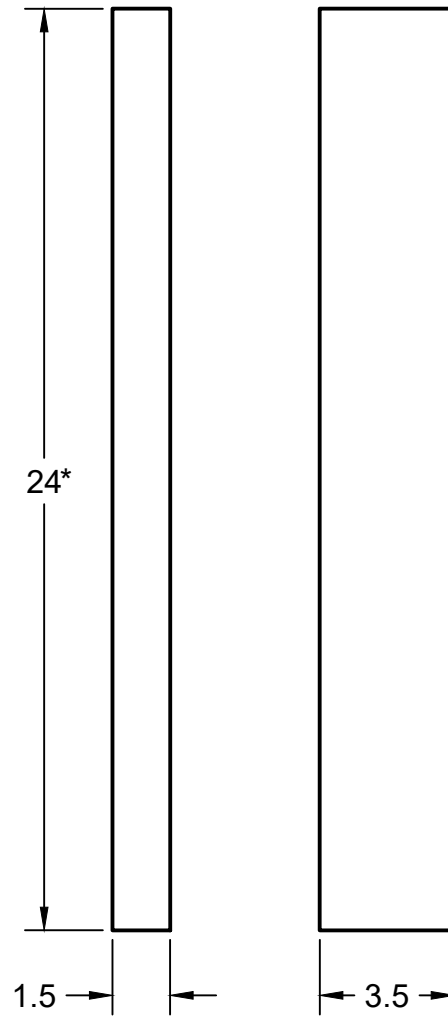
PART: PANEL - FRONT
(BOTTOM)



Work licensed under a Creative Commons Attribution Non-Commercial 4.0 International License. For commercial reuse or inquiries, contact Info@DisruptivNation.com. Copyright, DisruptivNation, LLC

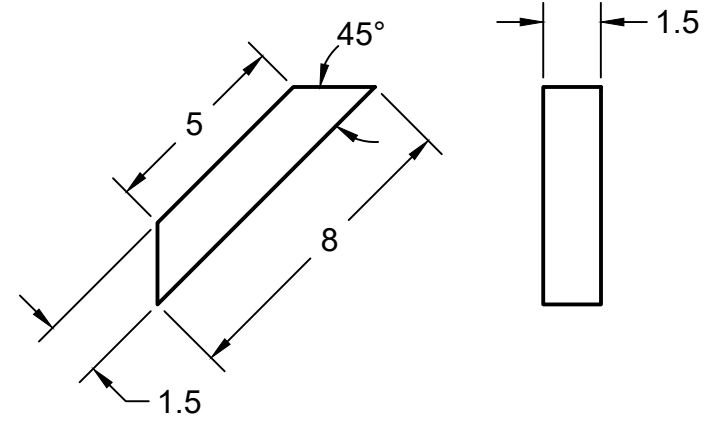
PROJECT
Community Library
TITLE
PARTS: PANELS

APPROVED	SIZE	CODE	DWG NO	REV
CHECKED	B			
DRAWN Cory Nation 1/9/2020	SCALE 1:5	WEIGHT	SHEET 3/4	

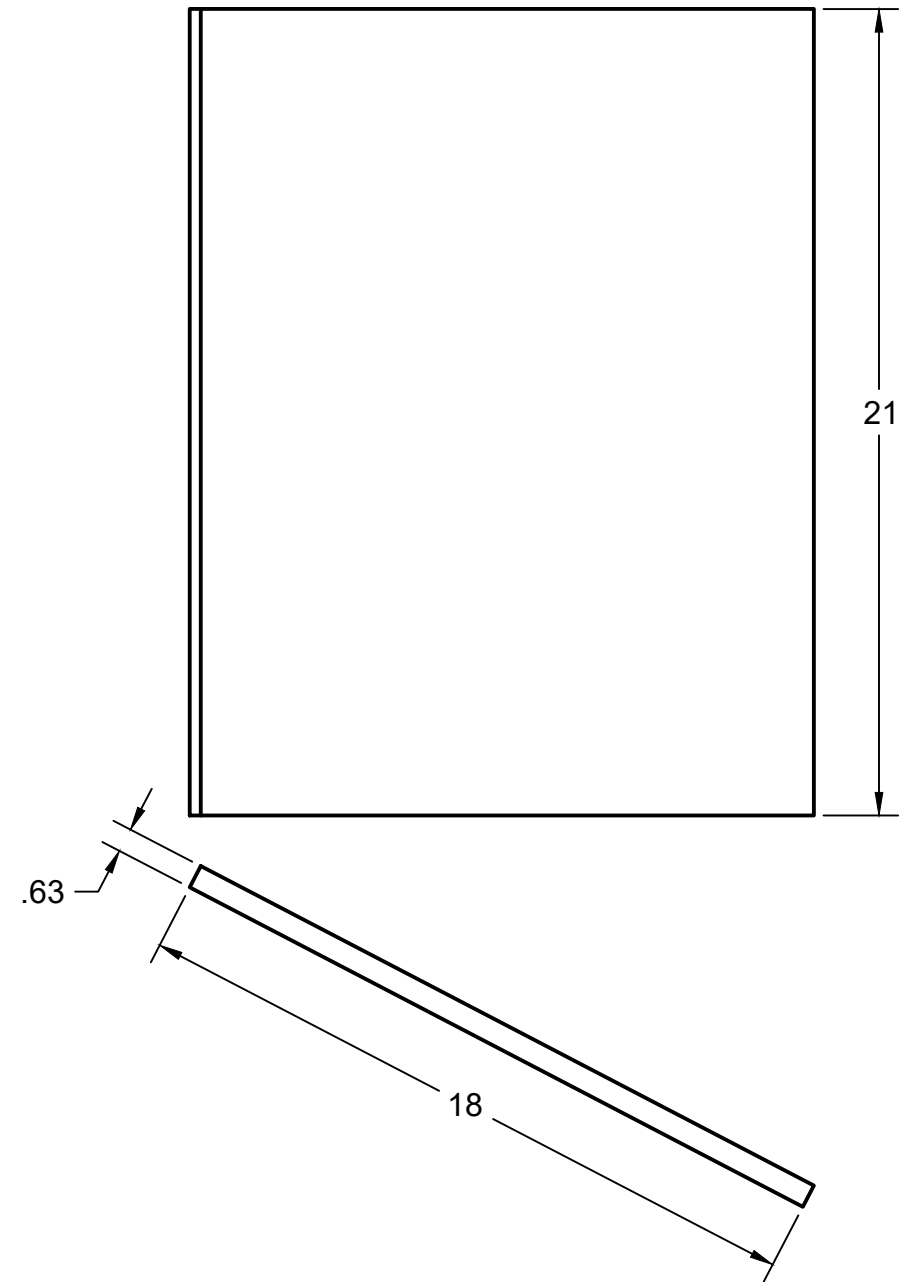


PART: POST (1 & 2)

***NOTE:** PRIOR TO CUTTING POST LENGTH, DETERMINE DESIRED HEIGHT OF LIBRARY, THEN ADD AN ADDITIONAL 2' - 3' TO BE INSTALLED IN GROUND



PART: STRUT (1 & 2)



PART: ROOF

Work licensed under a Creative Commons Attribution Non-Commercial 4.0 International License. For commercial reuse or inquiries, contact Info@DisruptivNation.com . Copyright, DisruptivNation, LLC	PROJECT Community Library			
	TITLE PARTS: POST, STRUT, & ROOF			
APPROVED	SIZE	CODE	DWG NO	REV
CHECKED	B			
DRAWN Cory Nation 1/9/2020	SCALE 1:5	WEIGHT	SHEET 4/4	